

bookie
...the readers friend



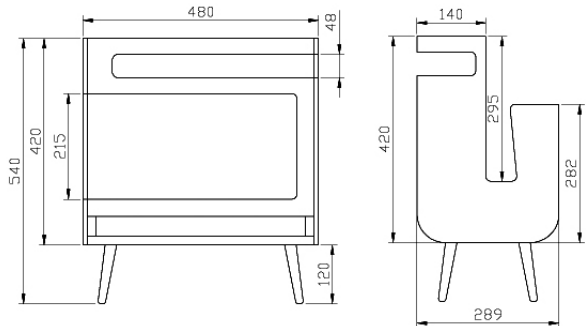
bookie

bookie design are pleased to present a range of products inspired by our home town of Hay-On-Wye. Self-styled second-hand book capital of the world and home to the famous Hay Literary Festival ... it's all about books



classic bookie

A stylish readers companion. Designed to comfortably hold 12 magazines, 20 smaller paperbacks, 4 larger books, laptop or ipad, glasses, pens and a cup of tea. Hand assembeled and hand finished in water based organic paints and natural oil laquer with a bees wax finish



colourways

- > natural wood throughout
- > natural wood with Parker Grey details
- > natural wood with Clay Blue details



bookie



colourways

> Traffic Red



> Lapis Lazuli



bookie junior

The perfect place for the young reader to keep all of their favourite stuff. With space for pens, paper, magazines and ipod as well as their most treasured books, bookie junior makes a bright addition to any kids bedroom... dimensions as for classic bookie

hardwood bookie

A showcase for the most beautiful timber available while also providing the same impressive storage options as classic bookie. Available in a range of solid, native British timbers, each element is carefully selected to match colour and grain, to create a truly unique piece of furniture



dimensions as for classic bookie

A limited supply of re-used Tulipwood is also available as illustrated above

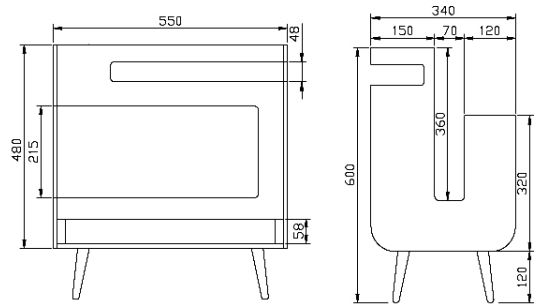
timbers available include

- > English Oak
- > Ash
- > Cherry
- > Walnut



bookie 6

With more than twice the book storage capacity of classic bookie, this is the work-horse of the range. bookie 6 is currently available in a natural timber finish only



things you should know



bookie furniture is designed and made in the Welsh Marches by Lou Christie and Andy Dix

We use FSC certified timber, Treatex natural oil finishes and ECOS organic paints

Our packaging is 80% recycled and 100% recyclable

To place an order or to request further information please contact us at:

sales@bookiedesign.com
or on **07966 105737**

We aim to satisfy all orders within 6 weeks

Please refer to our website for our standard Terms and Conditions

The current price list is available as a separate download from our website

